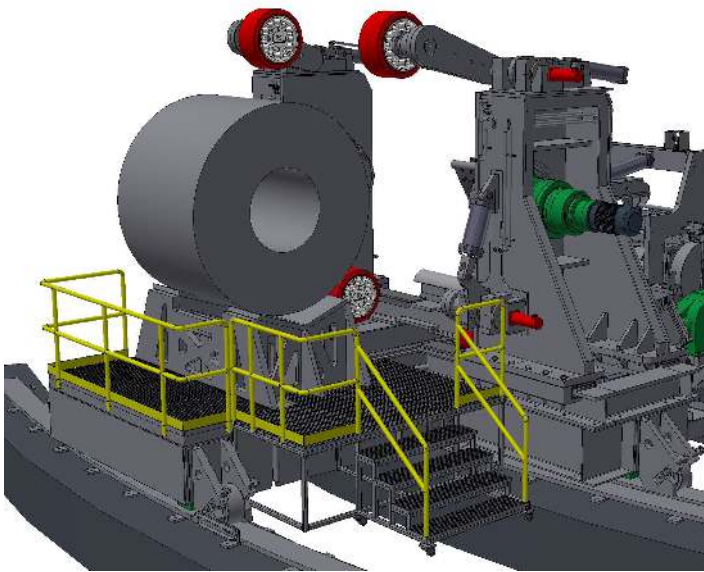




- **Maintains control and back tension**
- **Eliminates lap to lap gauling or scratching, coil spring and surface imperfections**



The main benefit of our uncoiler is the ability to maintain control and back tension on the strip as it is being paid out. By maintaining back tension on the strip we eliminate lap to lap gauling or scratching. This can significantly reduce down grades and post processing of pipe, saving money and increasing prime yield.

Our uncoiler also eliminates coil spring when the bands are cut. By containing the coil while it is being threaded up to the butt weld we eliminate surface imperfections by controlling and preventing unwanted coil spring or unwinding.

With over 42 years of experience, an in-house team of engineers and state of the art manufacturing DynaIndustrial designs and manufactures turnkey-solutions to solve the pipe mills most challenging problems.