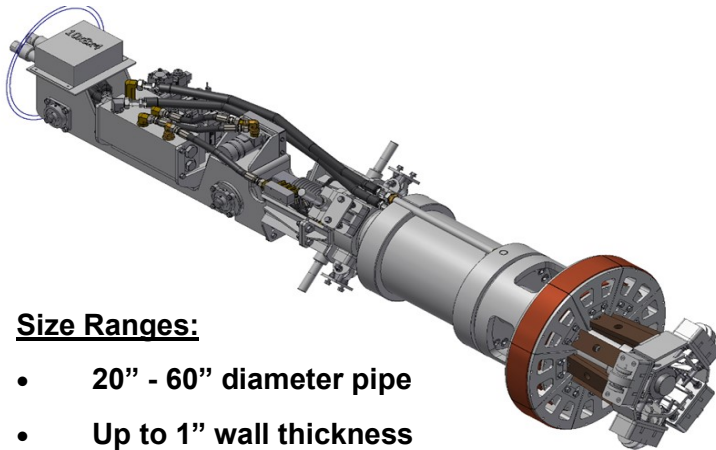


DynaIndustrial's I.D. weld clamp/pipe endsizer was designed and manufactured to produce a more consistent product with minimal maintenance required.



Size Ranges:

- 20" - 60" diameter pipe
- Up to 1" wall thickness



DYNAINDUSTRIAL ADVANTAGES:

- Hydraulic design easily produces the required force to eliminate offset and ovality; ensuring a more consistent end product.
- Increased consistency of field joints and facilitates double jointing with ease.
- Robust design with over 30 years of proven performance.
- Quick change segments allow one base unit accommodate a variety of pipe diameters.

